

LIQUID METAL ION SOURCE (LMIS)

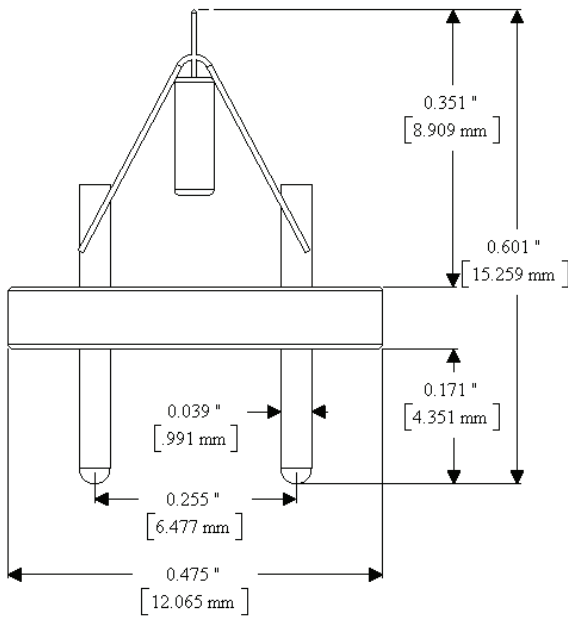


Figure 1.1: LMIS Specifications of base and tip height.

GALLIUM LMIS:

- Manufactured to exacting standards with optimally calibrated state-of-the-art equipment to meet strict alignment tolerances
- Compatible with many OEM configurations
- Vacuum operation environment: $< 5 \times 10^{-7}$ mbar
- Typical lifetime 4500 μ A/hours
- Recommended operating current 2.2 μ A



(SINGLE ISOTOPE) GALLIUM 69 LMIS:

Our multi-beam friendly single isotope Gallium 69 Liquid Metal Ion Sources are manufactured to the same rigorous standards as our regular LMIS but are loaded with monoisotopic Gallium 69 to prevent isotopic separation when using the ion beam in conjunction with the magnetic lenses commonly used on today's ultra-high resolution electron beams. Gallium 69 yields a tighter spot and increased accuracy for critical dimension milling applications when used where magnetic fields exist.

APPLIED PHYSICS TECHNOLOGIES SHIPS LMIS UNITS TO MOST GLOBAL LOCATIONS.
OFFERING OEM AND VOLUME DISCOUNTS!
CONTACT APTSales@a-p-tech.com FOR A QUOTATION.

WWW.A-P-TECH.COM

1600 NE Miller Street • McMinnville, OR 97128 • P: 503.434.5550 • F: 503.434.1312 • E: APTSales@a-p-tech.com